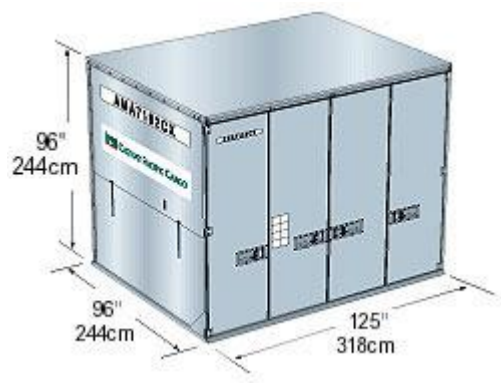


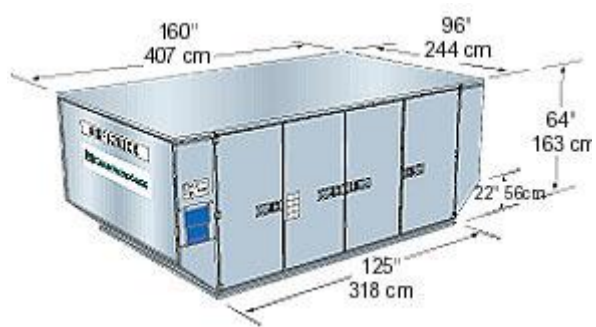
Container - AMA



Container
AMA

ATA code	M1
Internal Volume	621 cu. ft. 17.58mc
Tare Weight	477 kg
Weight Limitation Inc. ULD Tare Weight	6,804 kg
Loadable Aircraft Type	747F

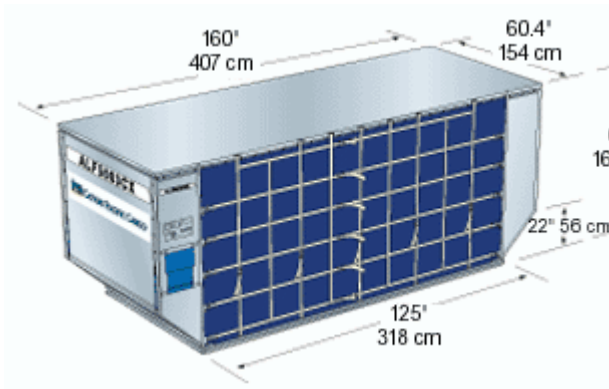
Container - AMF



Container
AMF

ATA code	n/a
Internal Volume	516 cu. ft. 14.6 mc
Tare Weight	315 kg
Weight Limitation Inc. ULD Tare Weight	5,035 kg
Loadable Aircraft Type	747, 747F, 777, Airbus

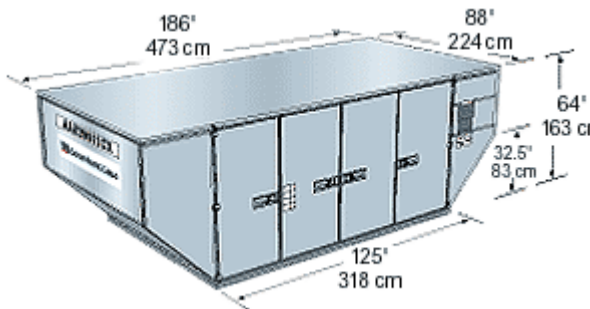
Container - ALF



Container
ALF

ATA code	LD6
Internal Volume	310 cu. ft., 8.78 mc
Tare Weight	157 kg
Weight Limitation Inc. ULD Tare Weight	3,175 kg
Loadable Aircraft Type	747, 747F, 777, Airbus

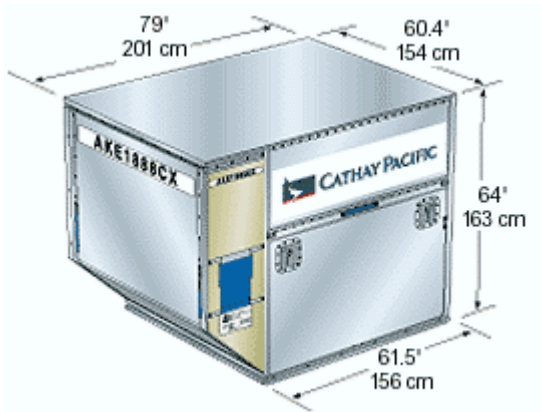
Container - AAU



Container
AAU

ATA code	LD29
Internal Volume	505 cu. ft., 14.3 mc
Tare Weight	355 kg
Weight Limitation Inc. ULD Tare Weight	4,626 kg
Loadable Aircraft Type	747, 747F

Container - AKE

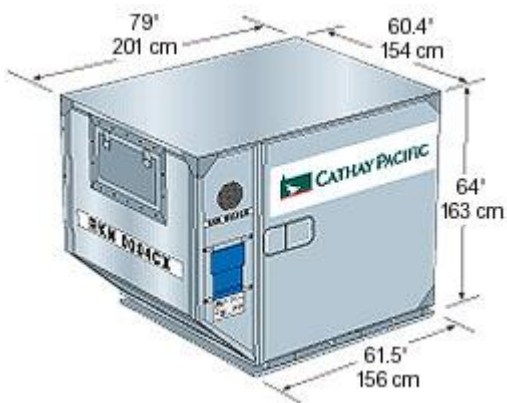


Container

AKE

ATA code	LD3
Internal Volume	152 cu. ft, 4.3mc
Tare Weight (Fabric door / Metal door)	73 kg / 100 kg
Weight Limitation Inc. ULD Tare Weight	1,588 kg
Loadable Aircraft Type	747, 747F, 777, Airbus

Cooltainer - RKN

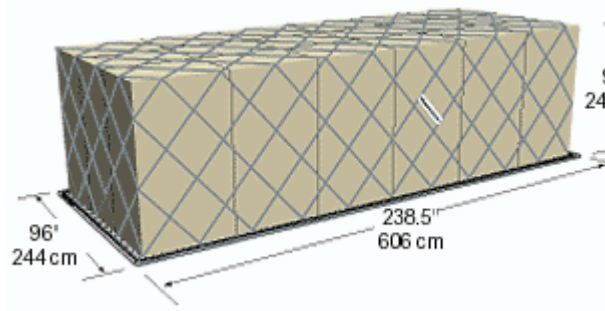


Cooltainer

RKN

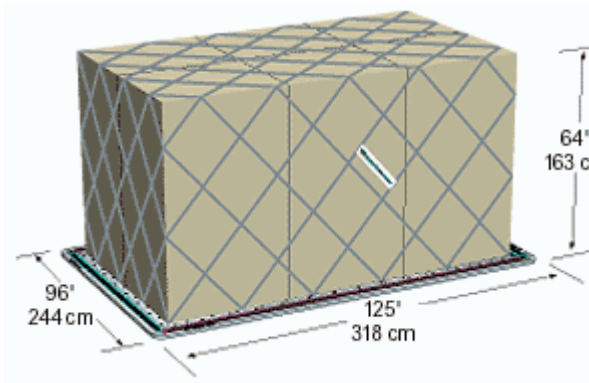
ATA code	LD3
Internal Volume	125.41 cu. ft., 3.55 mc
Tare Weight	190 kg
Weight Limitation Inc. ULD Tare Weight	1,588 kg
Loadable Aircraft Type	747, 747F, 777, Airbus

Pallet - PGA



Pallet
PGA

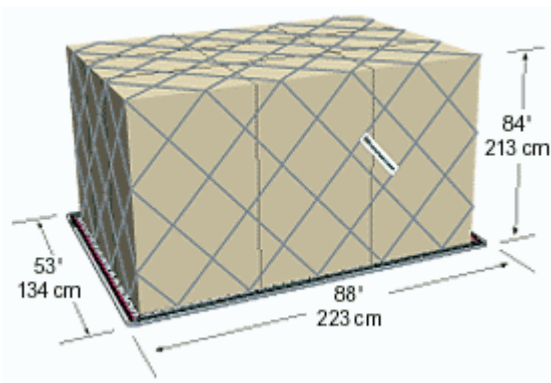
Size	Base: 96" x 238.5" Height: 96" (Q6 Contour), 118" (Q7 Contour)
Tare Weight	565 kg
Weight Limitation Inc. ULD Tare Weight	11,340 kg
Loadable Aircraft Type	747F



Pallet
PMC, PQP, P6P

Size	Base: 96" x 125" Height: 64" (passenger flight), 96" (Q6 Contour), 118" (Q7 Contour)
Tare Weight	120 kg
Weight Limitation Inc. ULD Tare Weight	5,035 kg (LD), 6,804 kg (MD)
Loadable Aircraft Type	747, 747F, 777, Airbus

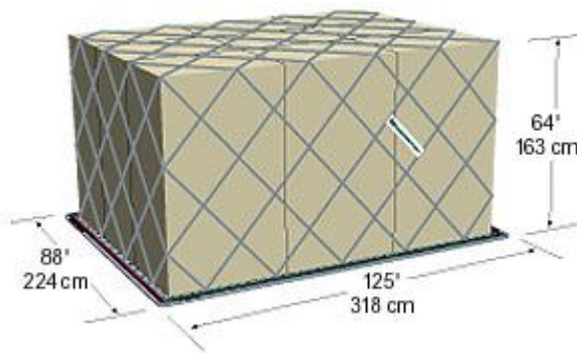
Pallet - PEB



Pallet
PEB

Size	Base: 53" x 88" Height: 84"
Tare Weight	55 kg
Weight Limitation Inc. ULD Tare Weight	1,800 kg (B-HIH - 1,300 kg)
Loadable Aircraft Type	747F

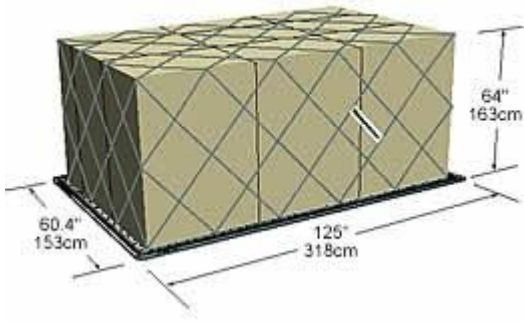
Pallet - P1P, PAG



Pallet
P1P, PAG

Size	Base: 88" x 125" Height: 64" (Passenger flight), 96" (Q6 Contour), 118" (Q7 Contour)
Tare Weight	114 kg
Weight Limitation Inc. ULD Tare Weight	4,626 kg (LD), 6,033 kg (MD)
Loadable Aircraft Type	747, 747F, 777, Airbus

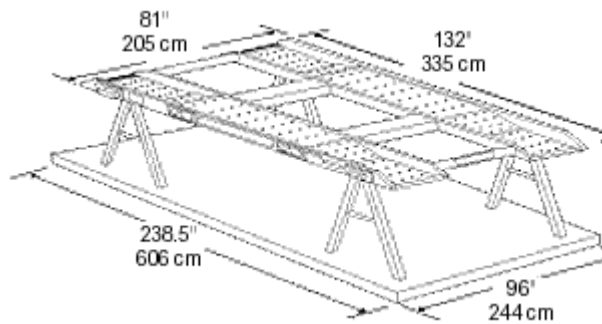
Pallet - PLA



Pallet
PLA

Size	Base: 60.4" x 125" Height: 64"
Tare Weight	103 kg
Weight Limitation Inc. ULD Tare Weight	3,175 kg
Loadable Aircraft Type	747, 747F, 777, Airbus

Car Rack - VZA, VRA



Car Rack
VZA, VRA

Size	Fitted on PGA 20 ft. Pallet
Max Width for Lower Car	81" / 205 cm
Max Centre Height for Lower Car	59" / 150 cm
Max Wheel Base	312 cm
Tare Weight	319 kg (2 trestles: 139 kg, Platform: 180 kg)
Weight Limitation Inc. ULD Tare Weight	2,500 kg (Upper Car) 9,300 kg (Max Gross Weight of Pallet)
Loadable Aircraft Type	747F Upper Deck